

OpenFastPath

OPNFV Design Summit
Tapio Tallgren



OPNFV

What is OpenFastPath (OFP)?

IP fast path incubation project between Nokia, Enea and ARM

- Developers and supporting staff active from all three companies

Organized as an Open source project

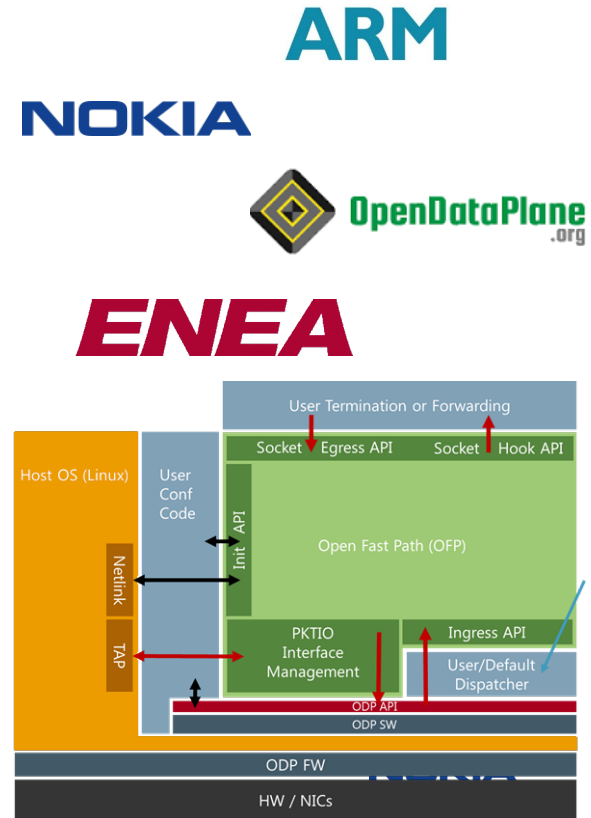
- Democratic governance model
- Using open source software
- BSD license
- Source code on GitHub
- Mailing list, shared Google docs, weekly calls, Freenode chat etc

API's towards hardware is based on ODP (Open Data Plane)

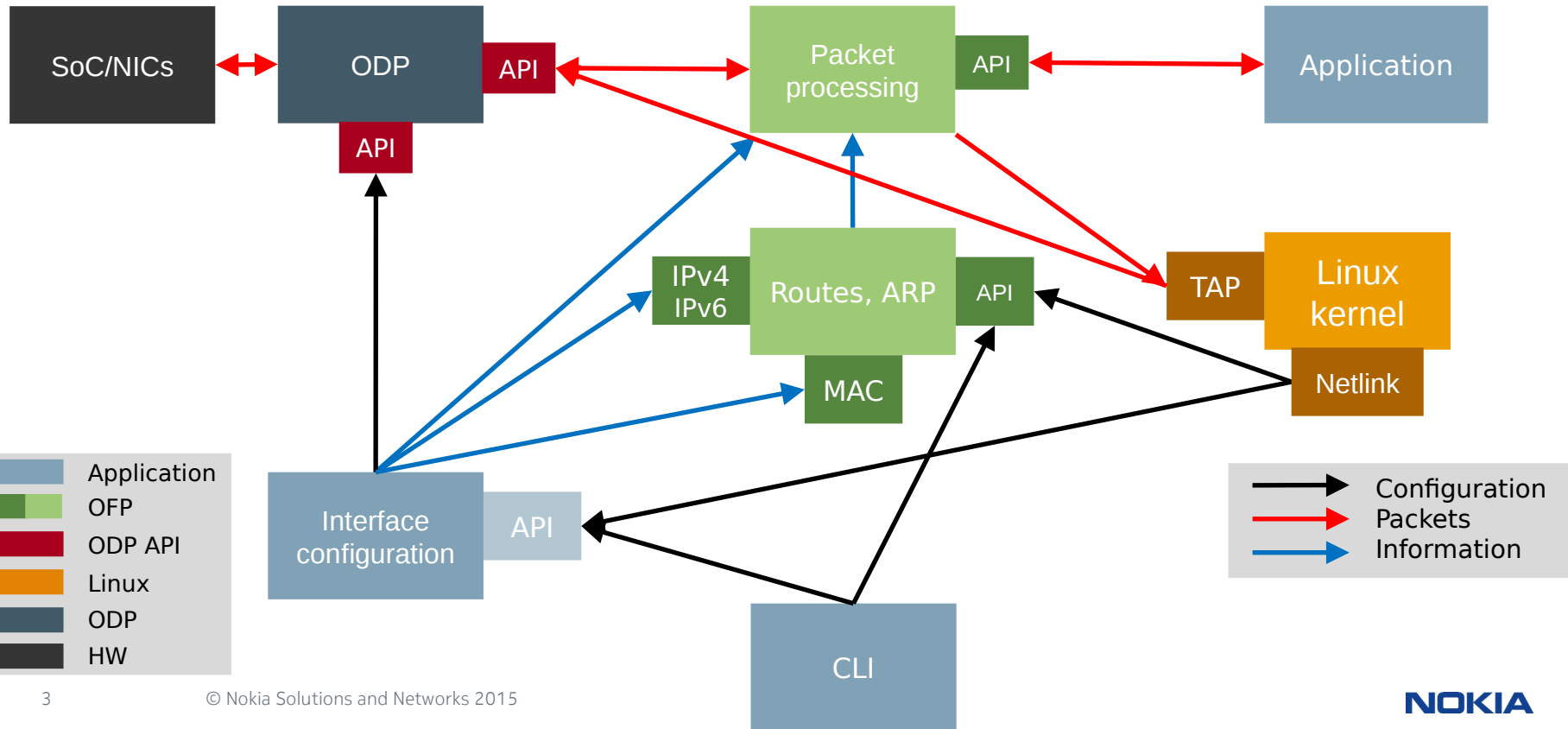
- Maximizes portability and software reuse

Linux user space IP fast path implementation

- Maximizes throughput and scalability by minimizing Linux overhead
- Leverages Linux for slowpath and route/ARP table updates



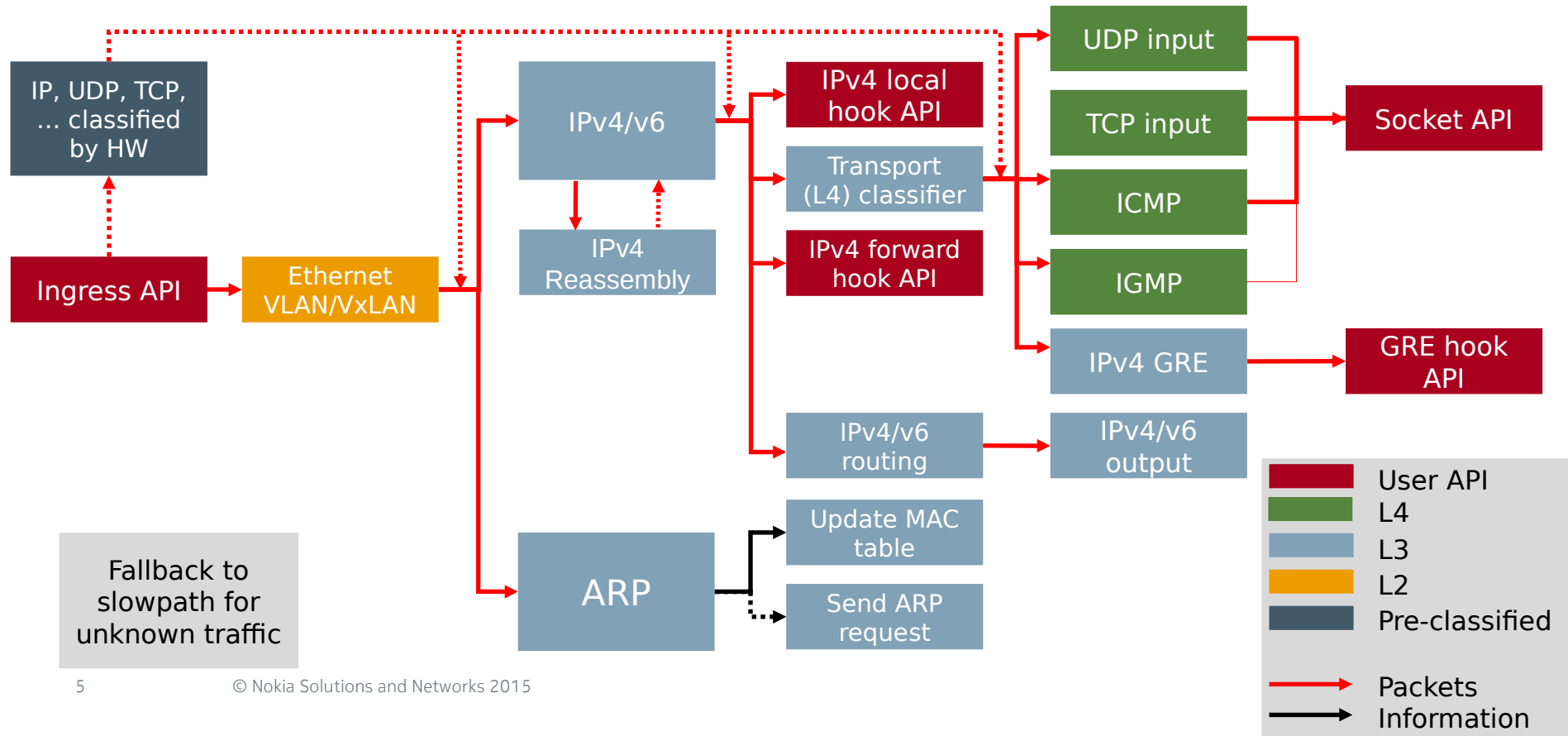
Components of an OpenFastPath system



Demo

- OpenFastPath uses OpenDataPlane as a library
- We use the linux-generic backend that uses Linux sockets, in order to get the whole thing running on a laptop

Ingress Packet Processing



Egress Packet Processing

