



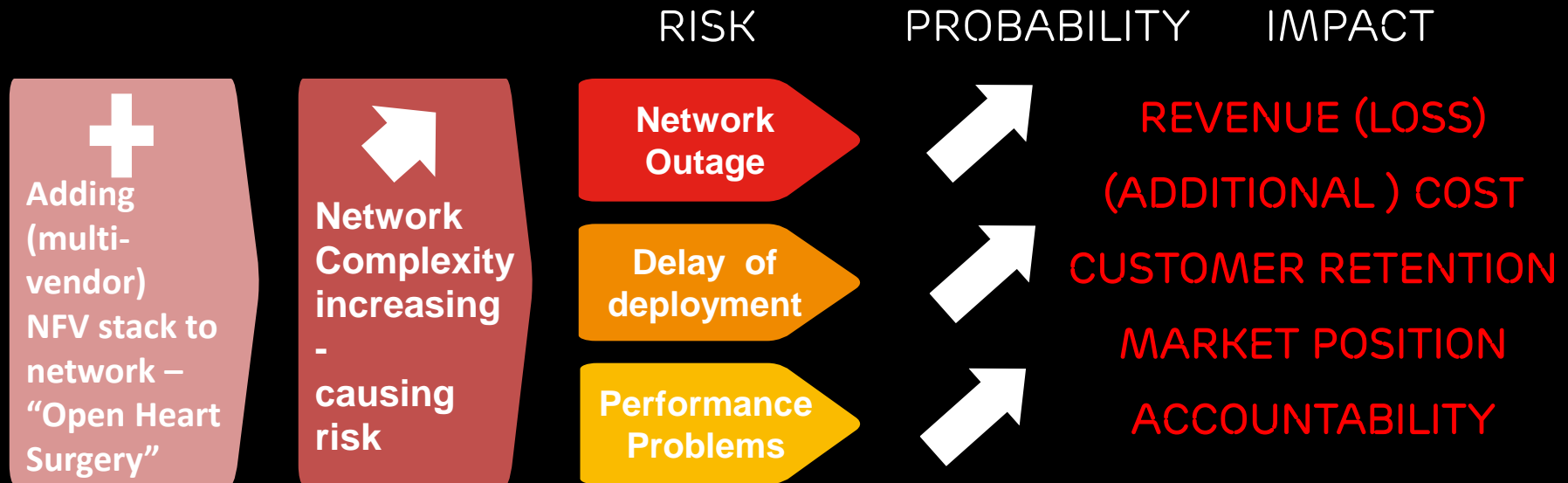
**OPNFV Project Proposal:
Carrier Grade Requirements for Network Transformation**

Younes Fettah
Michael Wieggers

TRANSFORMATION CHALLENGES



IMPACT ON SERVICE PROVIDER BUSINESS



Proven multi-vendor interoperability process and environment for NFV stack is required to ensure business continuity:

Within NVF platform solution



“Vertical Interoperability”

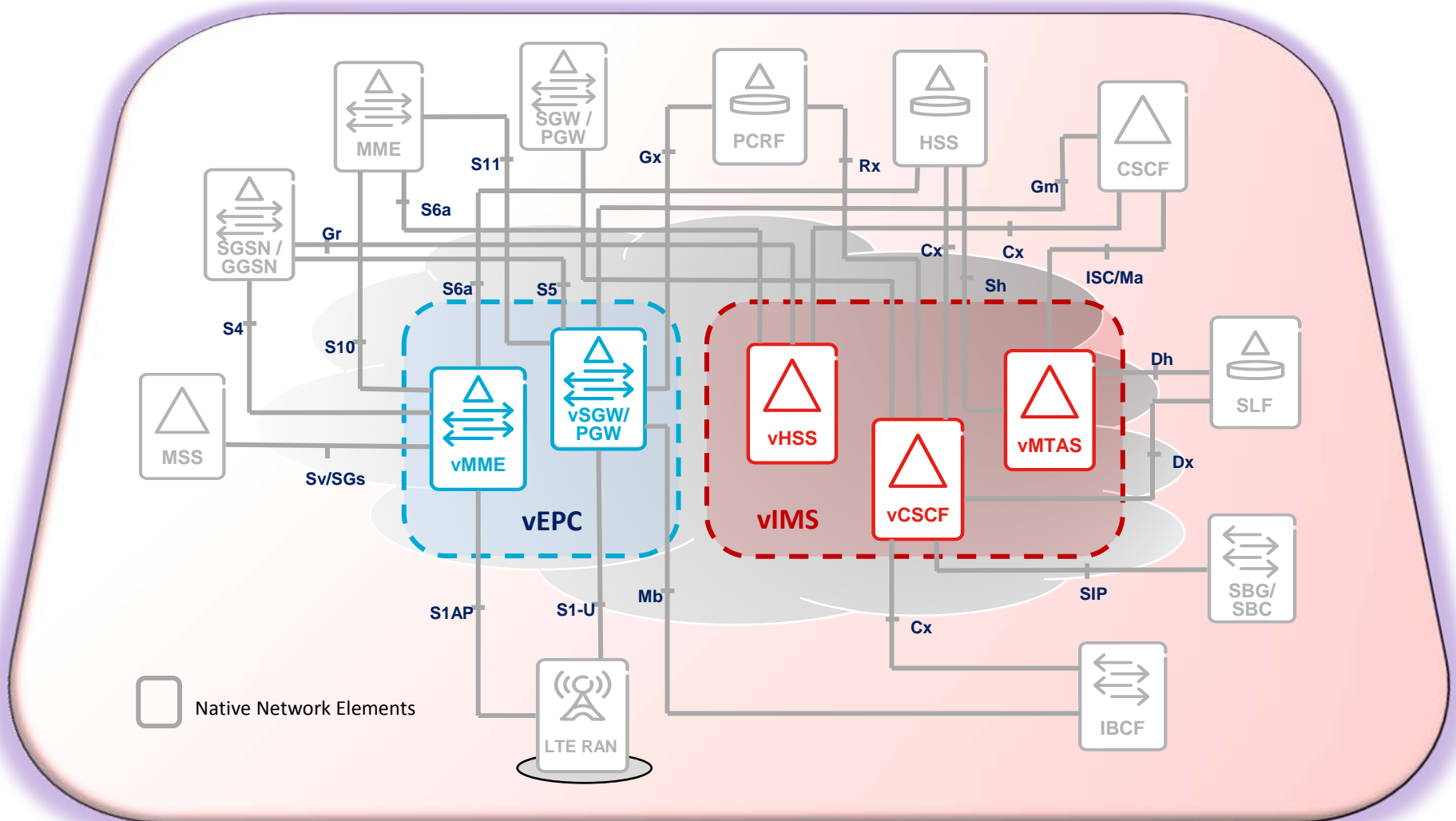
Towards existing (non-virtual) network architecture



“Horizontal Interoperability”

TRANSFORMER

USE CASE EPC AND IMS



TRANSFORMER

OBJECTIVE & DELIVERABLES

Complement OPNFV testing and leverage existing industry testing for successful network transformation

**Test Processes,
Tools
& Methodologies**

**(incl. use cases and
test suites)**

**Acceptance criteria
for compliance to
selected
standardization bodies**

(incl. 3GPP, ETSI, IETF, ...)

TRANSFORMER

CHARACTERISTICS

Transformer is

- defining a framework to verify OPNFV solutions in existing carrier networks
- initially covering key parts of OPNFV platform, i.e. NFVI and VNF
- following selected standardization bodies based on agreement in the project
- a Documentation project in OPNFV

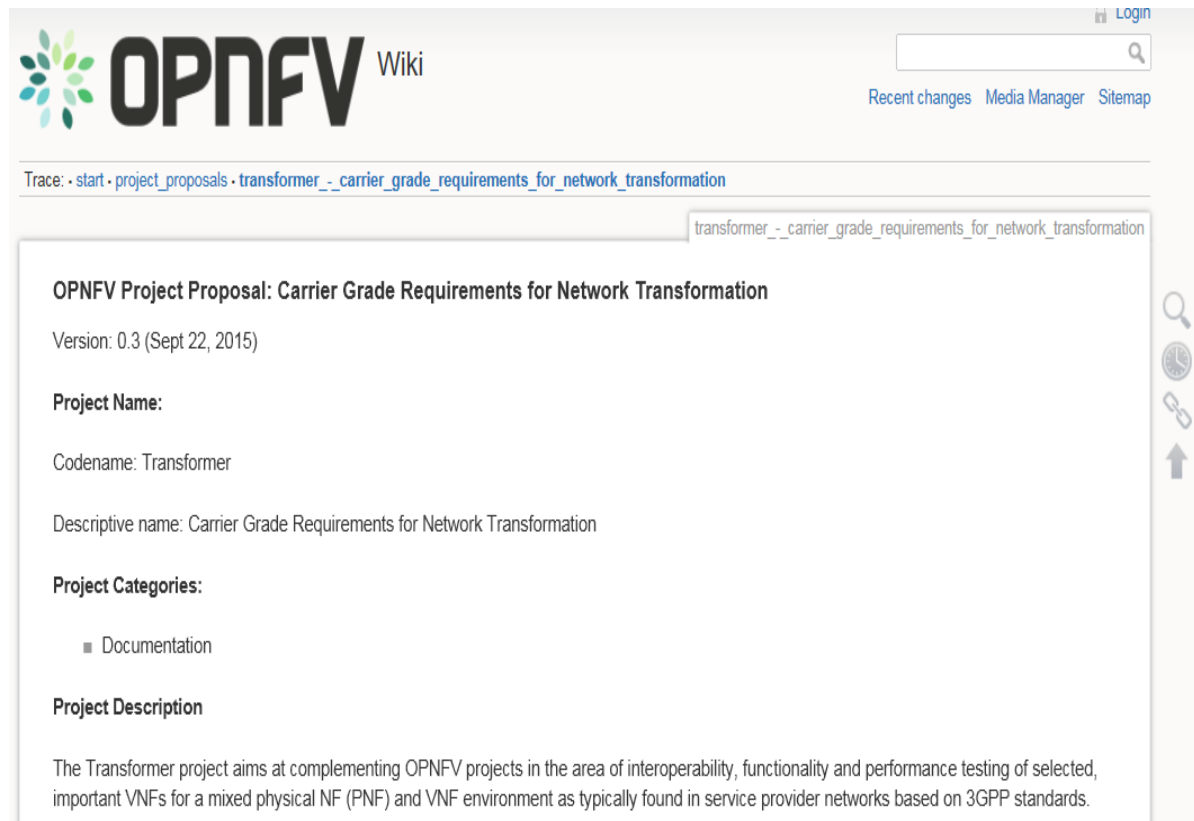
Transformer is **NOT**

- conducting or facilitating any test activities, i.e. it is not a Testing project
- providing test labs or environment

TRANSFORMER

OPNFV WIKI

https://wiki.opnfv.org/transformer_-_carrier_grade_requirements_for_network_transformation



The screenshot shows the OPNFV Wiki interface. At the top left is the OPNFV logo, a stylized green and blue flower-like shape. To its right is the text "OPNFV Wiki". In the top right corner, there is a search bar, a "Login" link, and links for "Recent changes", "Media Manager", and "Sitemap". Below the header is a breadcrumb trail: "Trace: · start · project_proposals · transformer_-_carrier_grade_requirements_for_network_transformation". The main content area is titled "transformer_-_carrier_grade_requirements_for_network_transformation" and contains the following information:

- OPNFV Project Proposal: Carrier Grade Requirements for Network Transformation**
- Version: 0.3 (Sept 22, 2015)
- Project Name:**
- Codename: Transformer
- Descriptive name: Carrier Grade Requirements for Network Transformation
- Project Categories:**
 - Documentation
- Project Description**

The project description text reads: "The Transformer project aims at complementing OPNFV projects in the area of interoperability, functionality and performance testing of selected, important VNFs for a mixed physical NF (PNF) and VNF environment as typically found in service provider networks based on 3GPP standards."